



ELITE SCREENS

Aeon CLR® 2 Series

EDGE FREE CLR®2 Fixed Frame Screen

w/ StarBright CLR® (Ceiling Light Rejecting®) Front Projection Material

User's Guide

Product Description:

The *Aeon CLR®2 Series* is an ultra-short throw fixed frame projection screen that uses Elite's EDGE FREE CLR® technology. It is designed for **Ultra-Short Throw Projectors only** that will be used in environments where ceiling light cannot be entirely controlled. It includes a bezel trim to further enhance the frame appearance.

Screen Maintenance

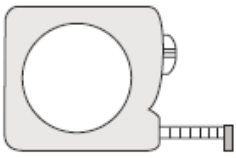
Dust, dirt and scratches on the projection screen surface will affect the quality and performance of the projection image. Follow the instructions below to properly maintain the screen.

- 1) The screen surface has a horizontal structure. **DO NOT** wipe the screen up and down or in a circular motion. ***Wipe from left to right only.***
- 2) Clean the dust on the screen surface with a soft brush or microfiber cloth. A rough towel or cloth may damage the screen's surface.
- 3) Gently wipe the screen with a moistened microfiber cloth with mild soap diluted in water.

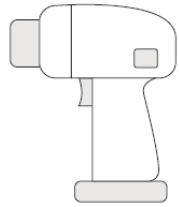
Notes: *The following precautions should be followed at all times to avoid damaging the material, which is not covered under warranty.*

- Don't **touch** the screen material to avoid leaving fingerprints. *Use gloves when handling the material.*
- Don't **scratch** the material, as it will leave permanent markings on the screen's surface.
- Don't **point** to the screen material with a fingertip or other sharp objects to prevent damage to the material.
- Don't use acetone, benzene, alcohol and any other organic solvents to clean the screen material. Using such chemicals will permanently damage the screen.

Suggested Tools



1. Measuring tape



2. Drill with bits



3. Marker/Pencil



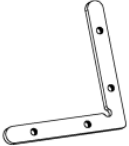



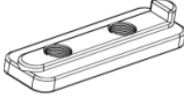
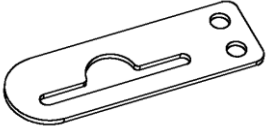
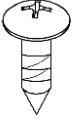

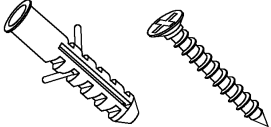
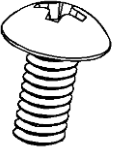




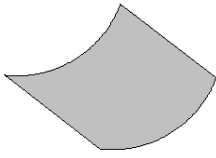


4. Screw driver



5. Hammer

Hardware and Parts List

Please make sure all parts listed below are included before installation.

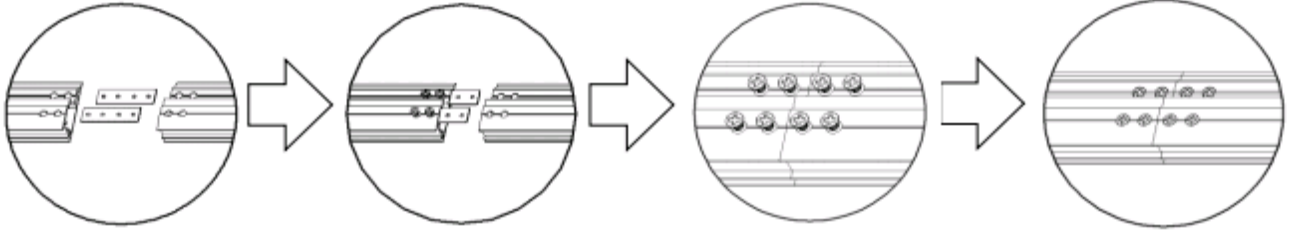
<p>A. Elbow Joints x 8 pcs</p>	<p>B. Horizontal frame (Spring inserted into the frame already)x 2 pcs</p>	<p>C. Left/Right vertical frame(Spring inserted into the frame already)x 2 pcs</p>
		
<p>D. Edge Trim x4pcs</p>	<p>E. Sliding block(in the frame) x4pcs</p>	<p>F. Wall brackets x4 pcs</p>
		
<p>G. M3x8 Screws x 16 pcs</p>	<p>H. M5x6 Screws x32 pcs</p>	<p>I. M5X50 Screw and anchor x 4pcs</p>
		
<p>J. M5x8 Screws x8 pcs</p>	<p>K. Spring Hook x 2 pcs</p>	<p>L. Fiberglass Rod x4 pcs</p>
		
<p>M. Center support bar (for 120" and above) x1pcs</p>	<p>N. White gloves x2pcs</p>	<p>O. Cloth liner for Assembly x1pcs</p>
		
<p>P. StarBright CLR® material x1pcs</p>	<p>Q. Corner sleeve x4 pcs</p>	
		<p><i>Note: Spring inserted into the frame already</i></p>

Frame Assembly

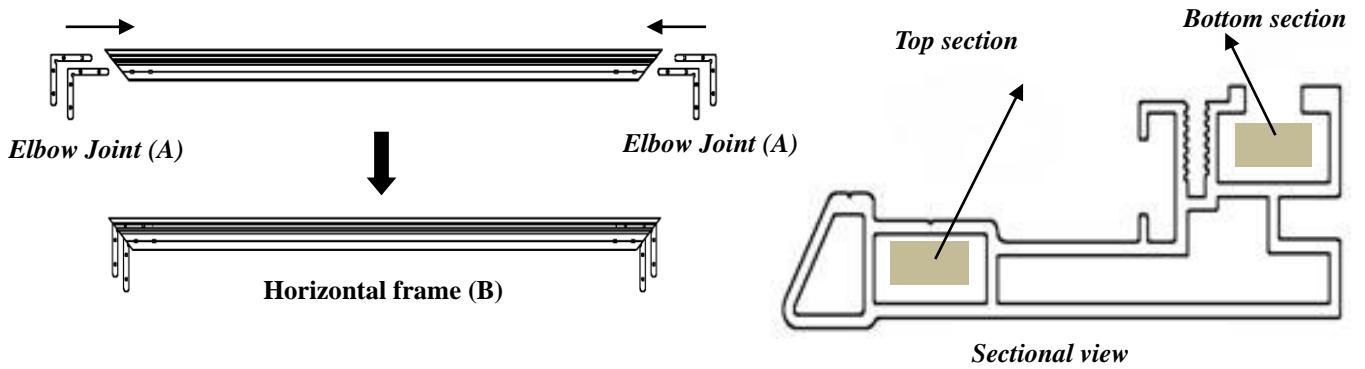
Step 1: Place the *Cloth liner(O)* sponge on clean area on the ground where the screen will be assembled.

For screens with 2 horizontal parts:

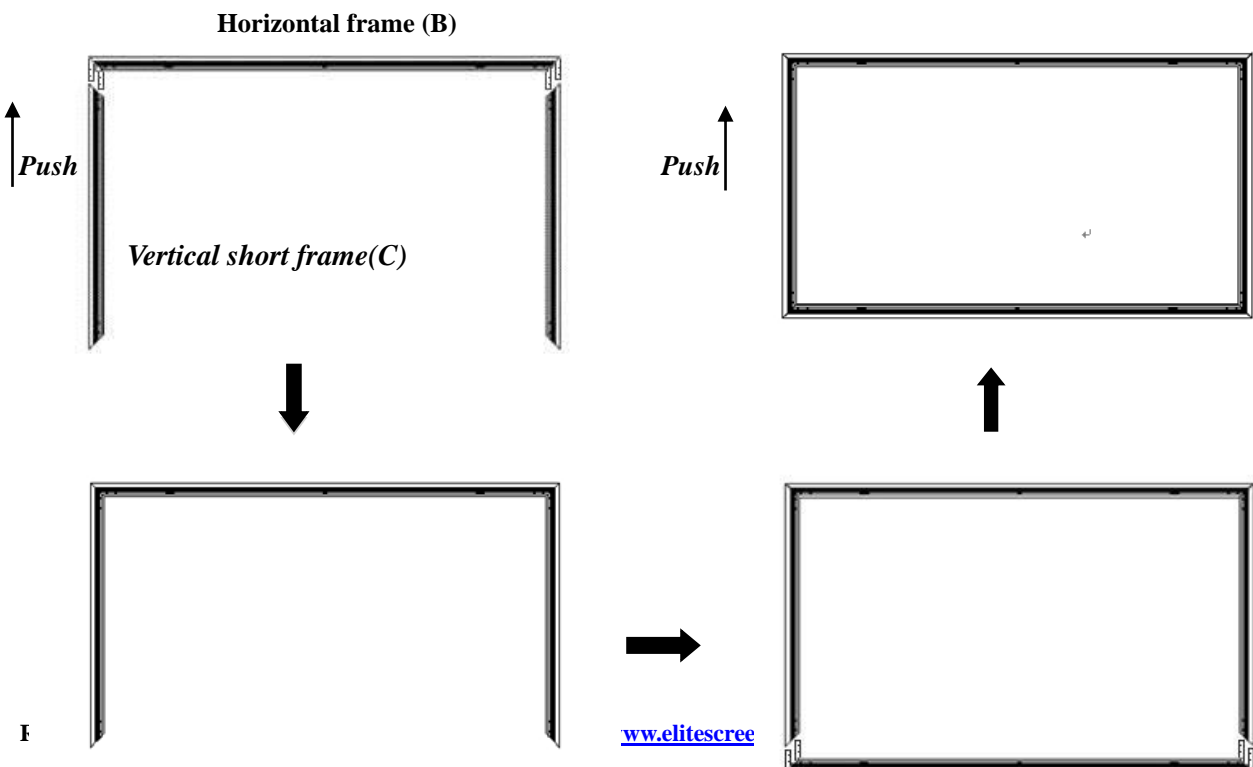
Connect the 2 parts using the connector plates and fix them using M4 screws.



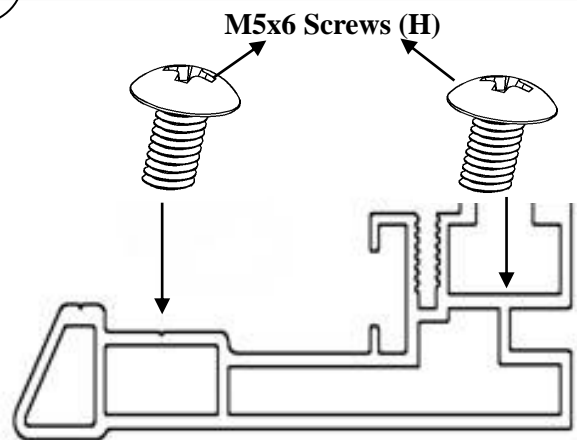
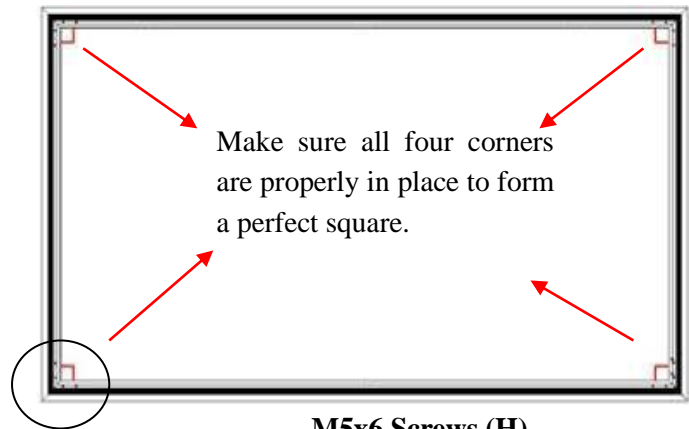
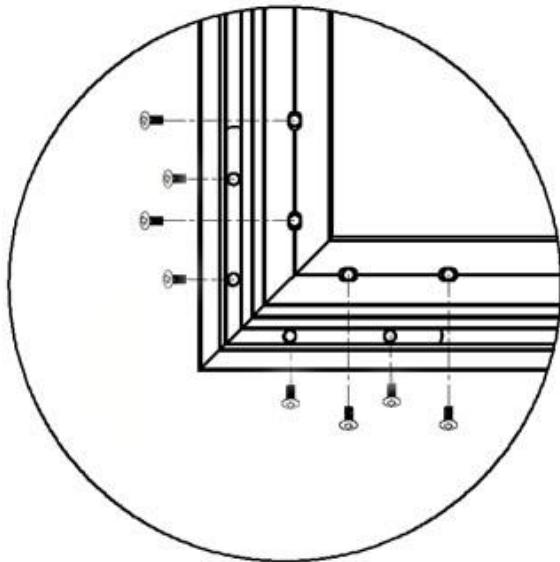
Step 2: Connect the *elbow joint (A)* to the top and bottom section of the *horizontal frames (B)* as shown below.



Step 3: Once inserted, connect the *Vertical short frame(C)* with the *horizontal frame (B)* sections. Make sure all holes are in alignment and the frame pieces are flush (no gaps). They should form perfect right angles.



Step 4: Secure the elbow joints by fastening them with *M5x6 Screws (H)*, 4 at each corner.

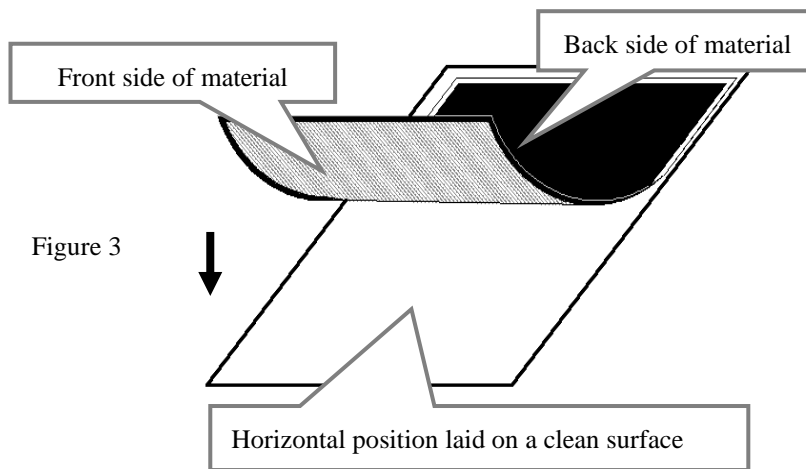
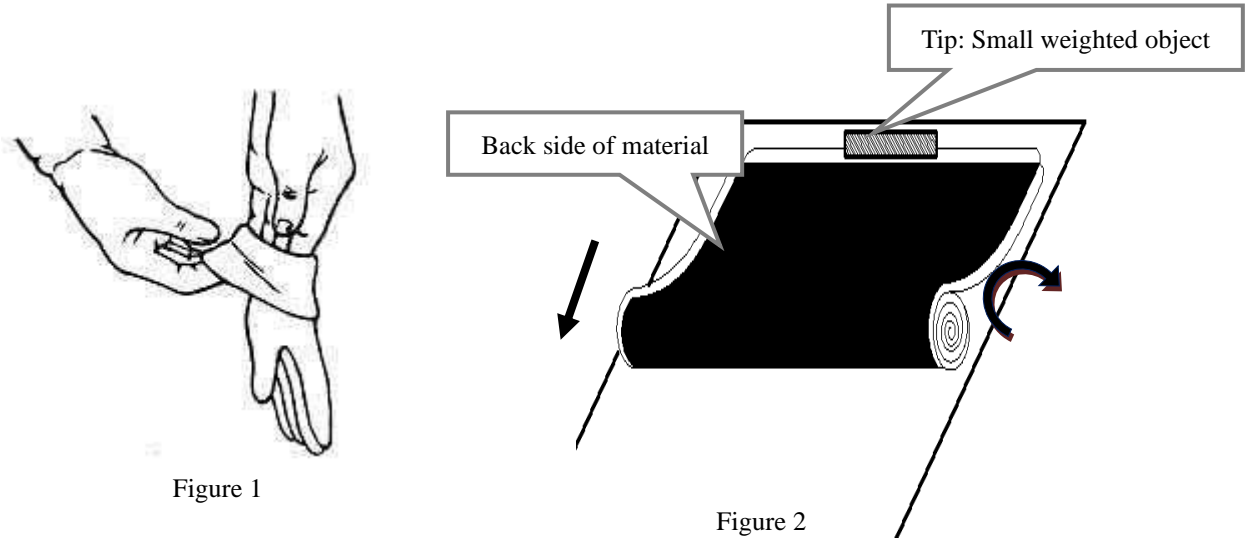


Screen Material Installation

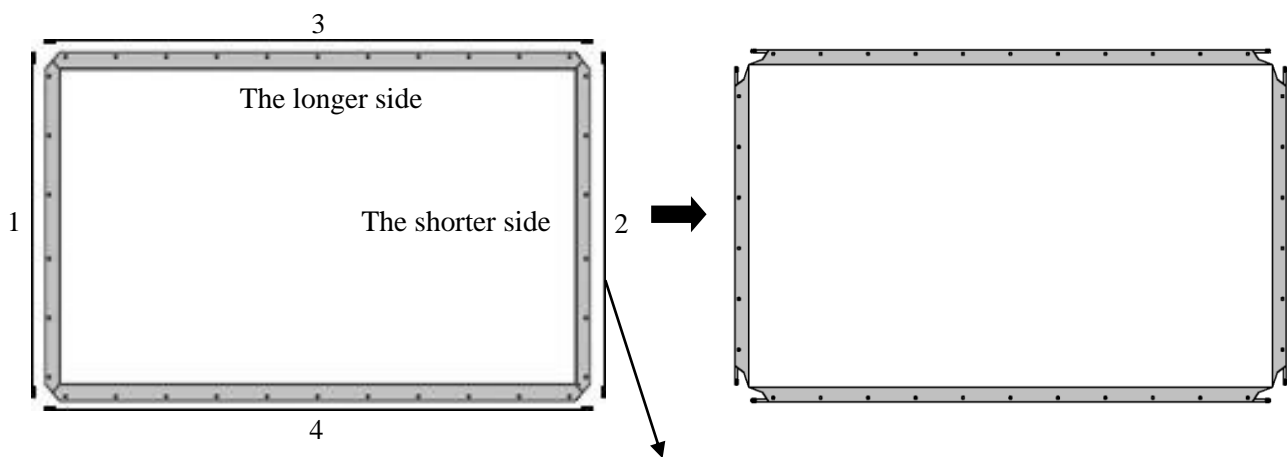
Please read this important note before proceeding with the installation process of the material:

Before handling the StarBright CLR® material, put on the supplied pair of white gloves to avoid leaving fingerprint marks, dust or hand oil on the material's surface (Figure 1). The StarBright CLR® material is very delicate and should be handled with extreme care. Do not allow the material to fold or bend. Failure to follow instructions will result in permanent damage to the screen material, which is not covered by warranty.

1. Remove the *StarBright CLR*® material from the packaging tube and set it gently on a clean surface.
Tip: Carefully put a small flat weighted object at the edge to prevent it from moving out of place.
Please keep the front of the material face down.
2. It is strongly recommended for two people to unroll the material to prevent the screen from bending or rolling unevenly. First put a small weighted object on the edge of the material. Each person should hold one end of the roll and slowly unrolls the screen in a clockwise direction (Figure 2).
3. Lay the material completely flat with the front facing down on a clean surface in a horizontal position (Figure 3)

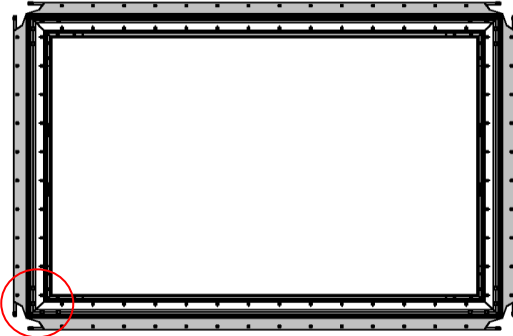
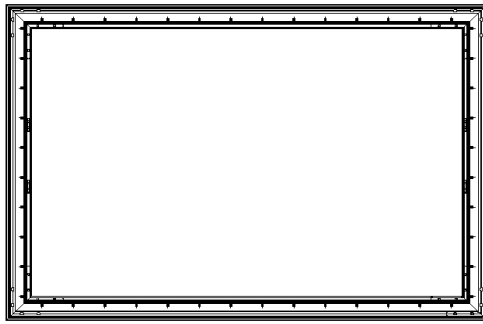


4. Insert *the fiberglass rods (L)* through the openings. The longer rods (3&4) are used on the horizontal edges of the screen material, and the shorter rods(1&2) are used on the vertical edges, as shown below.

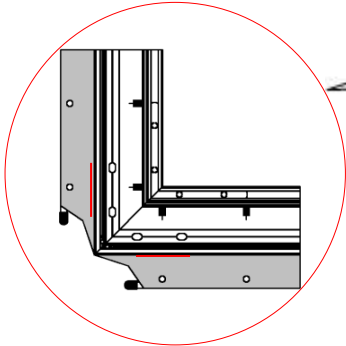


Fiberglass rods(L)

5. Carefully and gently place the assembled frame on top of the screen material. In order to avoid puncturing the material, do not allow the angled edge of the frame to come in direct contact with the screen.



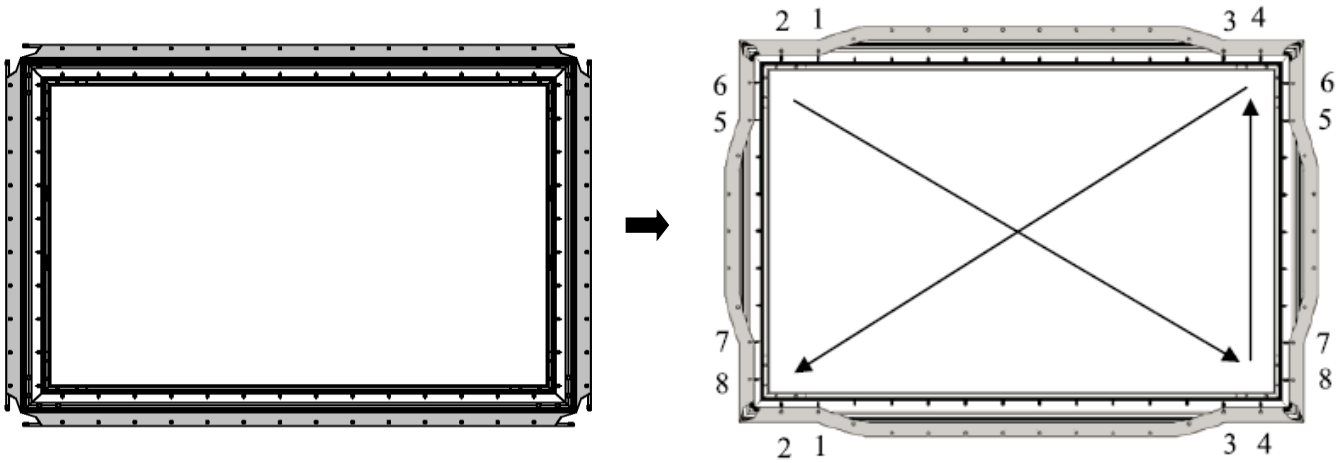
Note: Screen material back facing up



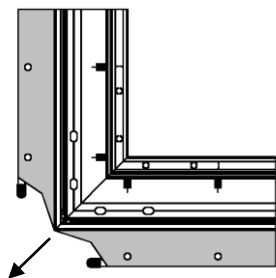
Screen material corner

6. Disperse the springs in th frame for a distance according to the hole distance on the material (P.S there is 2 white spring at each end of the frame), shown as the following pic, and using the *spring hook (k)* to attach the spring to the hole located on the screen material's outer edge in the following order :

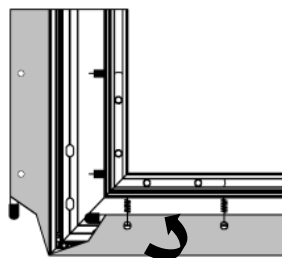
1) Attach the four corners first, use the *spring hook (k)* to attach the spring to the hole located on the screen material's outer edge as the following steps of 1-1→2-2→3-3→4-4, then 5-5→6-6→7-7→8-8.



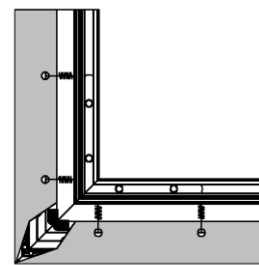
Correct material corner installation:



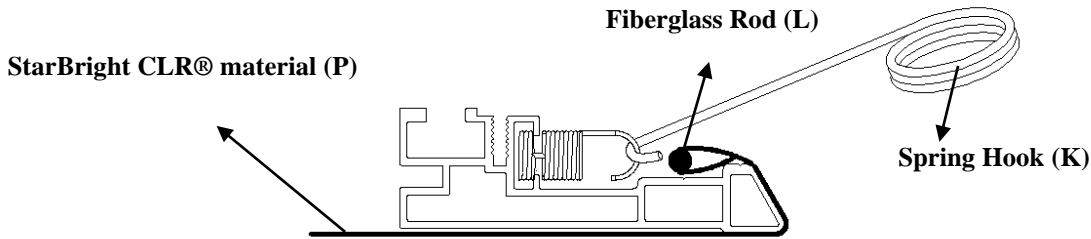
Stretch the screen material in the direction of the arrowhead.



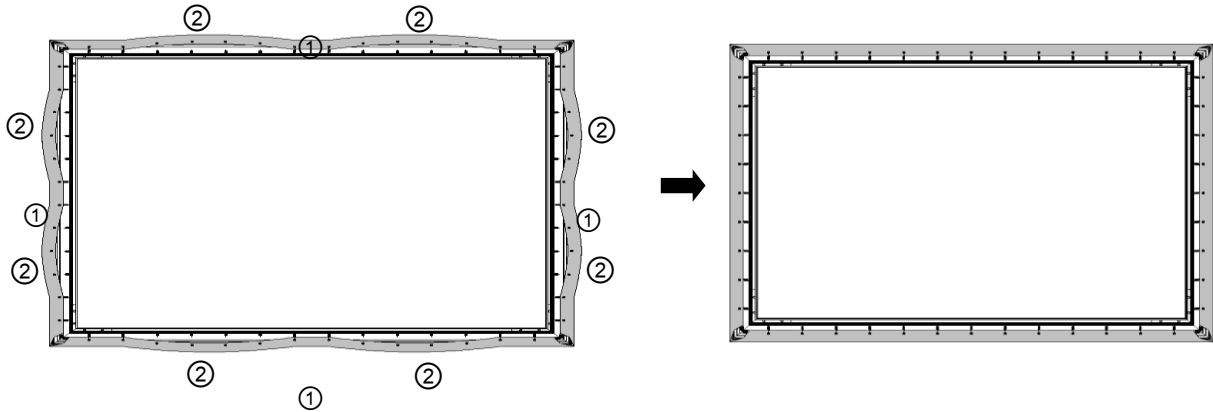
Use the *spring hook (k)* to attach the 2 springs to the hole located on each side of the screen material's outer edge



Repeat until all four sides are done in the order 1,2,3,4

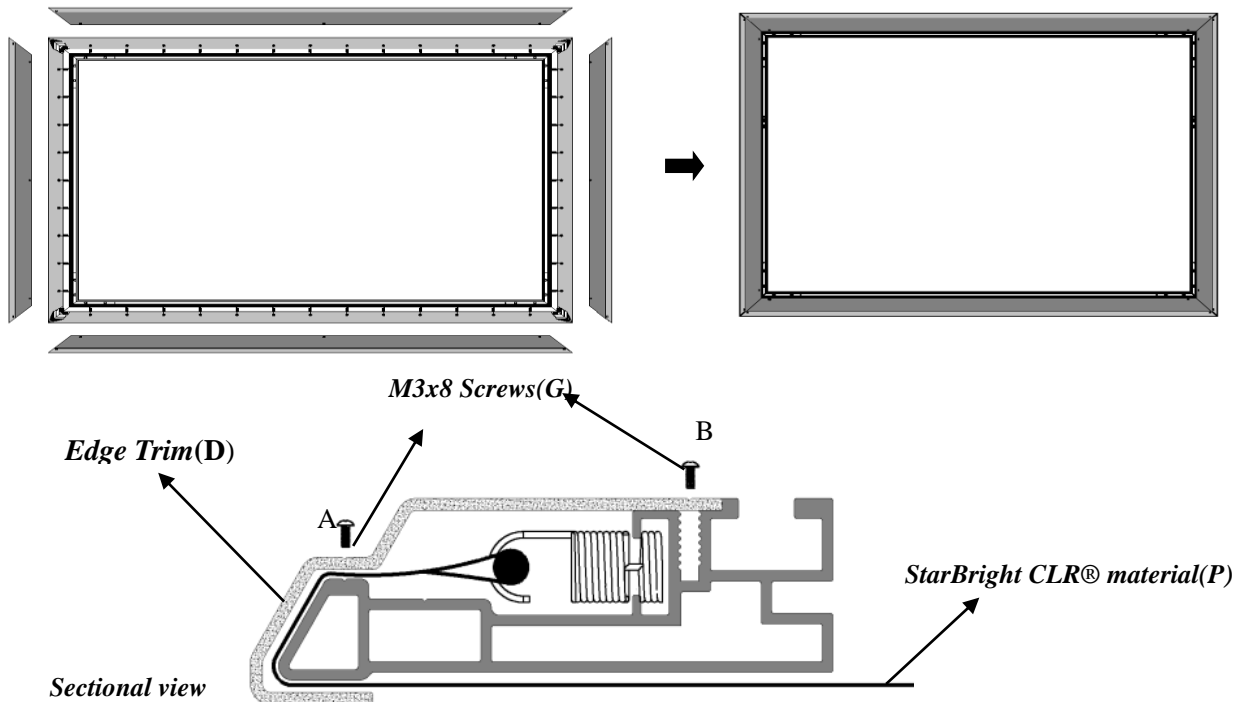


2) After material corner installation, then assemble the spring as the sequence 1 → 2 as below:

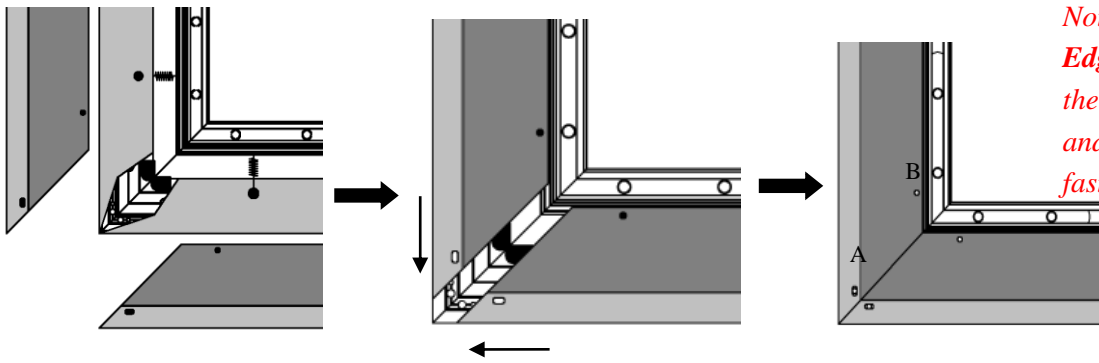


Edge Trim Installation

1. Place the *Edge Trim (D)* along the four edge of screen material corner. (Note: The Elite logo should be positioned on the bottom frame right).
2. Place all the trim pieces along the edge of screen material. Adjust the trim so that the top and bottom trim pieces are touching and show no gaps in the center. Then Align the *M3x8 Screws (G)* with the A,B holes as below picture shown.

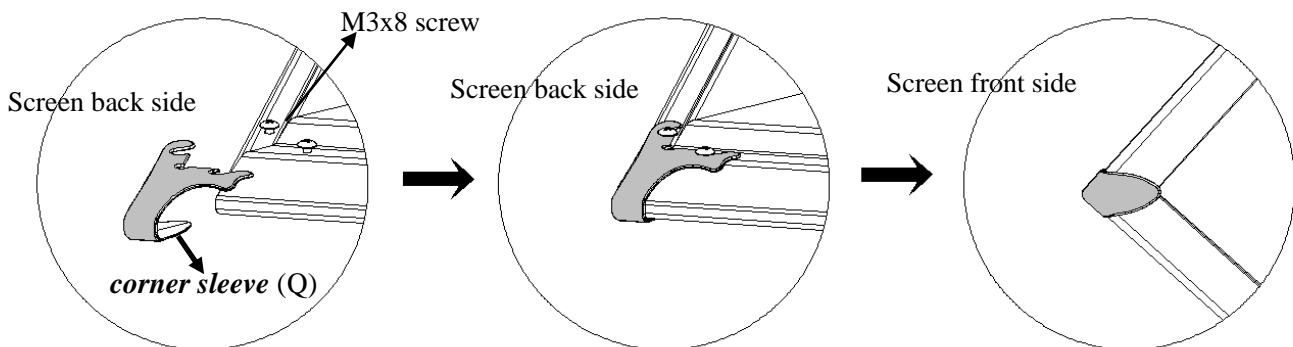


Edge Trim Corner Installation:



Note: Align the Edge Trim(D) with the Frame corner and the holes. Next, fasten the screws.

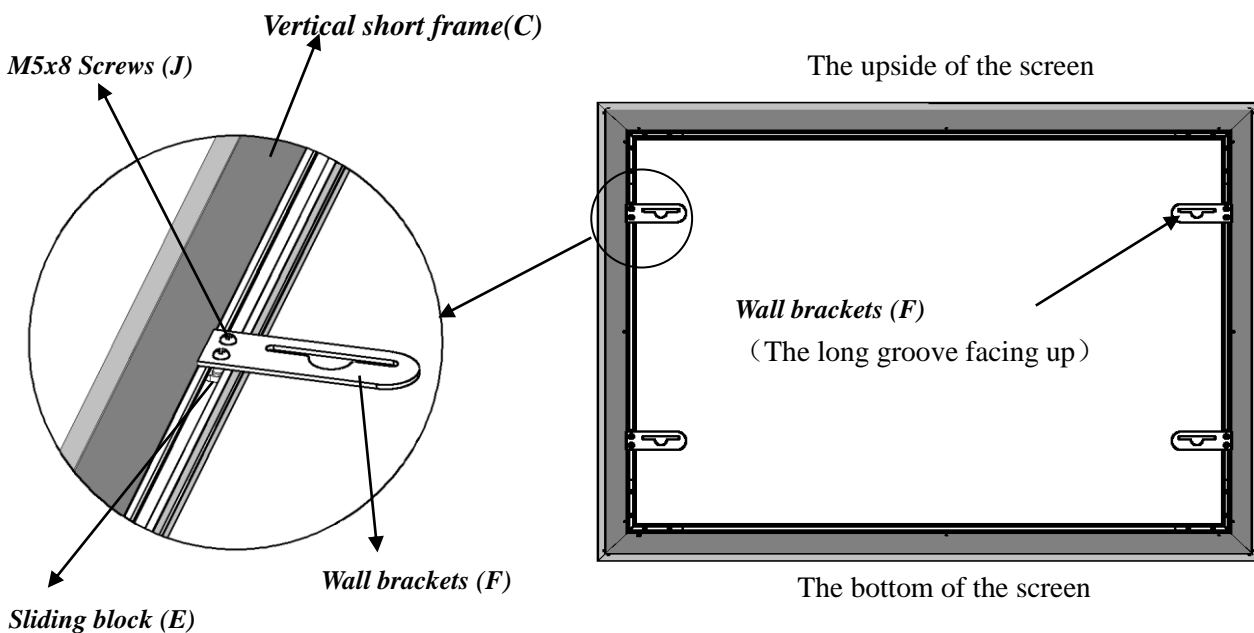
3. After the bezel trim has been installed, screw off A screw on edge trim (about 2mm gap), then place a **corner sleeve (Q)** on all four corners, final screw up the A screw.



Wall brackets Installation

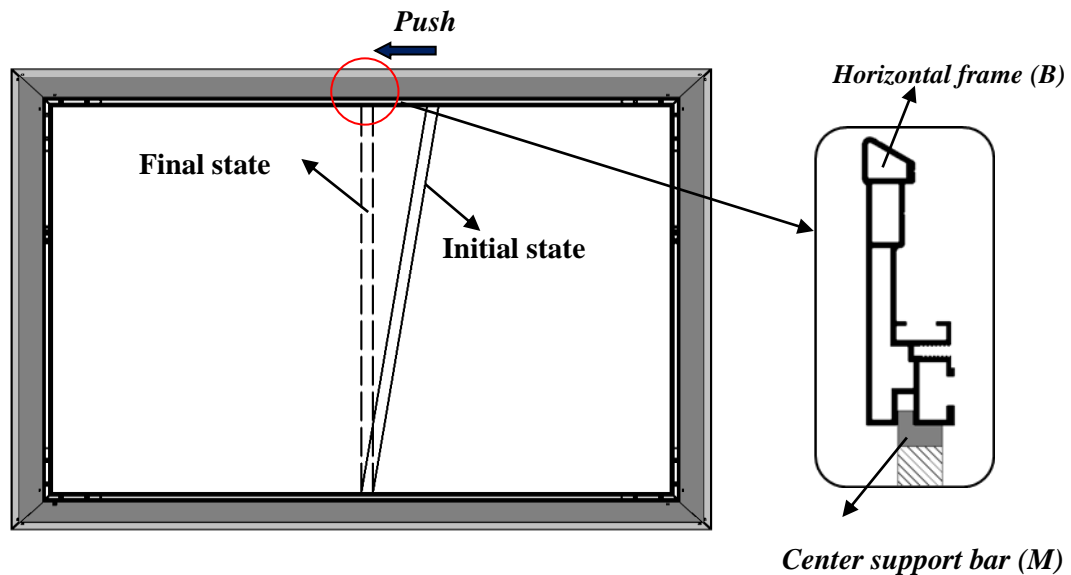
Slide the **Sliding block (E)** to a quarter of **Vertical frame (C)**, align the hole of **Wall brackets (F)** with the screw hole of **Sliding block (E)**, then fastened with **M5x8 Screws (J)**.

PS. The long groove is on the top.



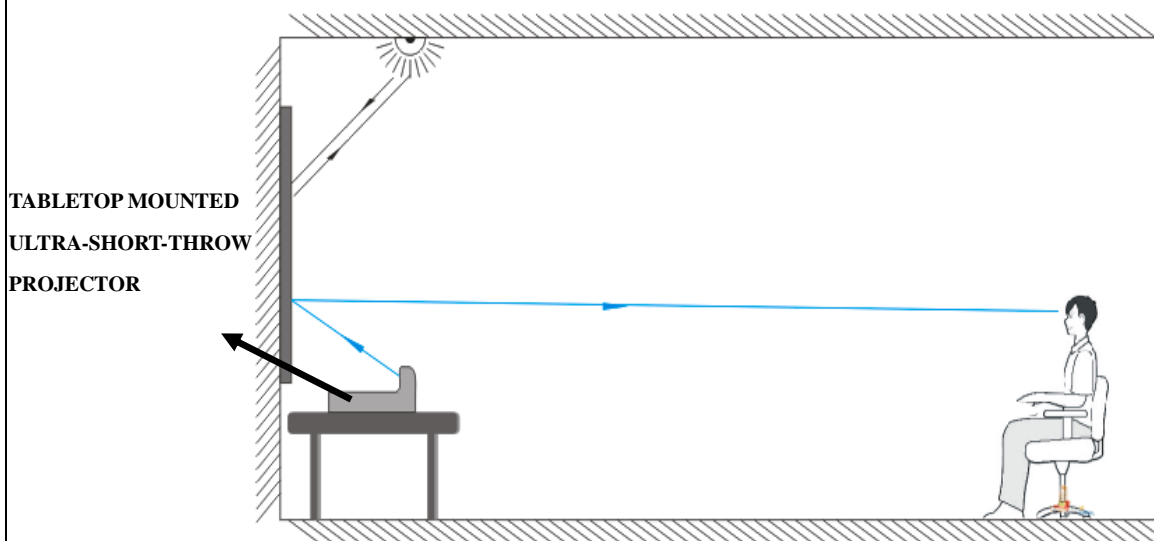
Center support bar (for 120 " and above)

Push the *Center support bar (M)* in the middle of the frame and align each end of the support bar with the top and bottom frames.



Proper Projector Installation

The StarBright CLR® is exclusively for table-mounted ultra-short throw projectors as illustrated in example 1 below. Overhead placement or a standard projector will make the image very dark, on account of the screen's absorbent layer deflecting light that is not aligned with its reflective angle.



Note: Each projector with different Projection Parameters. Please refer to your projector's distance calculator for proper measurements.

Installation

1. Correctly distinguish the top and bottom of the screen:

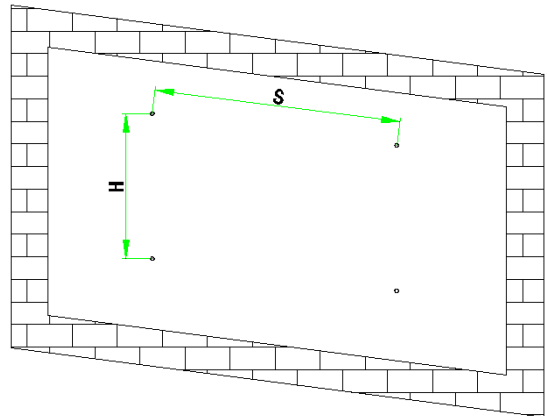
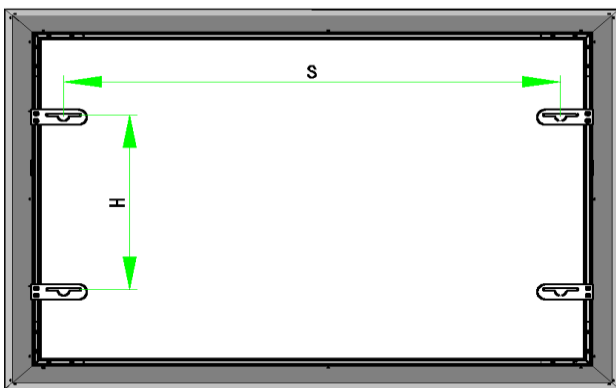
Place the assembled screen vertically on the ground. Look down on the screen, if the material is black then it is in the correct direction and ready for you to mount on the wall. However, if the material is white, turn around the screen and install it.

Note: There are also “Top” and “Bottom” labels on the back of the screen material to help distinguish the correct direction. Please make a note of this.

2. Preparing for installation

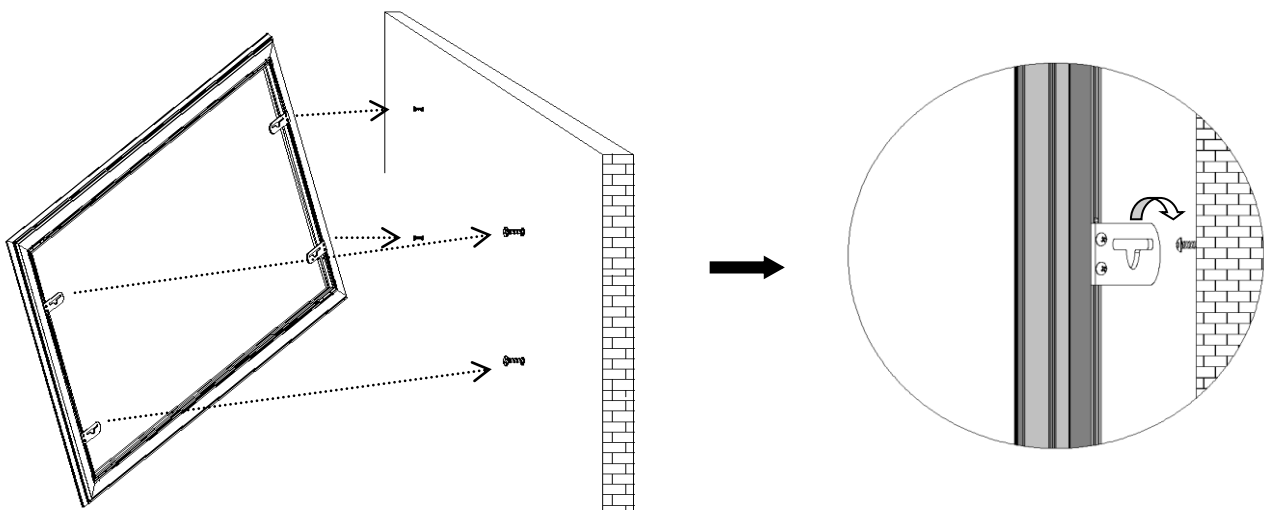
Use a stud finder to locate the place where you want to install the screen and mark the drill hole area. (recommended S and H distance shown below) (The distance of the holes is between 1/3 to 2/3 the length of the vertical frame.), then fastened with *M5X50 Screw and anchor (I)*.

Note: The installation height must be based on your projector's throw height and the distance between your projector and the screen. Please refer to the projector distance calculator to properly measure the distance.



3. Fixed installation

Hold up the whole screen and align the *Wall brackets (F)* with the screws on the wall. Next, slide some distance towards left or right side (as shown in the diagram below). Make sure the installation is properly completed.



For a local Elite Screens contact or Technical Support, please visit